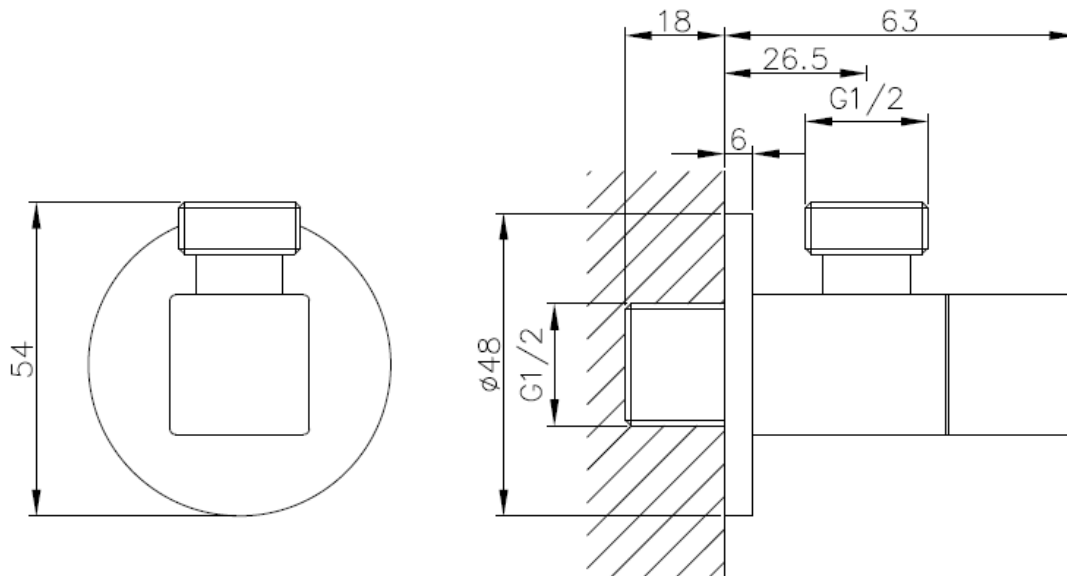




Brand : CAE, China  
Name : Angle Valve  
Item Code : 91.2940C

Color / Finish: Chrome Plated  
Dimensions : 1/2 x 1/2 cube

Product info:  
• Angle valve



Flushing of pipe must be done before fittings are installed. Failure to do so voids the warranty.

Follow cleaning instructions and avoid using any harmful chemicals.

All information is for reference only. Installation shall always be based on the specs provided with actual delivered items.

For more info, visit [www.sanitecph.com](http://www.sanitecph.com)